

# Wood burning cast iron stove K11 Ø 150 6 kW

SKU: KOZA/K11 EAN: 5903751223450

**€1,051.40**

## Technical data

### General data

Rated output (kW)	<b>6</b>
Heating power range (kW)	<b>3-9</b>
Heating efficiency (%)	<b>76.9</b>
Exhaust gas temperature (°C)	<b>265</b>
Max length of logs (cm)	<b>25</b>
Color	<b>Black</b>
Self Closure	<b>No</b>
Additional equipment	<b>None</b>
Materials	<b>Cast iron</b>
Flue outlet diameter (mm)	<b>150</b>
Air intake diameter (mm)	<b>125</b>

### Energetic efficiency

Energy class	<b>A</b>
Energy efficiency index (EEI)	<b>101.5</b>
Seasonal Heating efficiency (%)	<b>66.9</b>
Moc cieplna do ogrzewania pomieszczeń (kW)	<b>6</b>
CO emissions (at 13% O <sub>2</sub> ) ≤ given in %	<b>0.096</b>
Emisja CO (mg/m <sup>3</sup> )	<b>1208</b>
Dust emission (mg/Nm <sup>3</sup> )	<b>31</b>
Emisja NO <sub>x</sub> (mg/Nm <sup>3</sup> )	<b>109</b>
Emisja OGC (mg/Nm <sup>3</sup> )	<b>88</b>
Flue gases mass flow rate (g/s)	<b>6.6</b>

## Certifications / Compliance

---

Meets requirements **KRATKI PRO, Ecodesign,  
Designed for recuperation,  
BlmSchV 2, 7\* Flamme Verte**

## Additional information

---

Design features **Air intake - built in ,  
Ashpan, Combustion  
chamber lining**

Front type **Cast iron front with  
ceramic glass**

Type of fuel **Seasoned deciduous wood  
(humidity ≤20%)**

EAN **5903751223450**

## Physical parameters

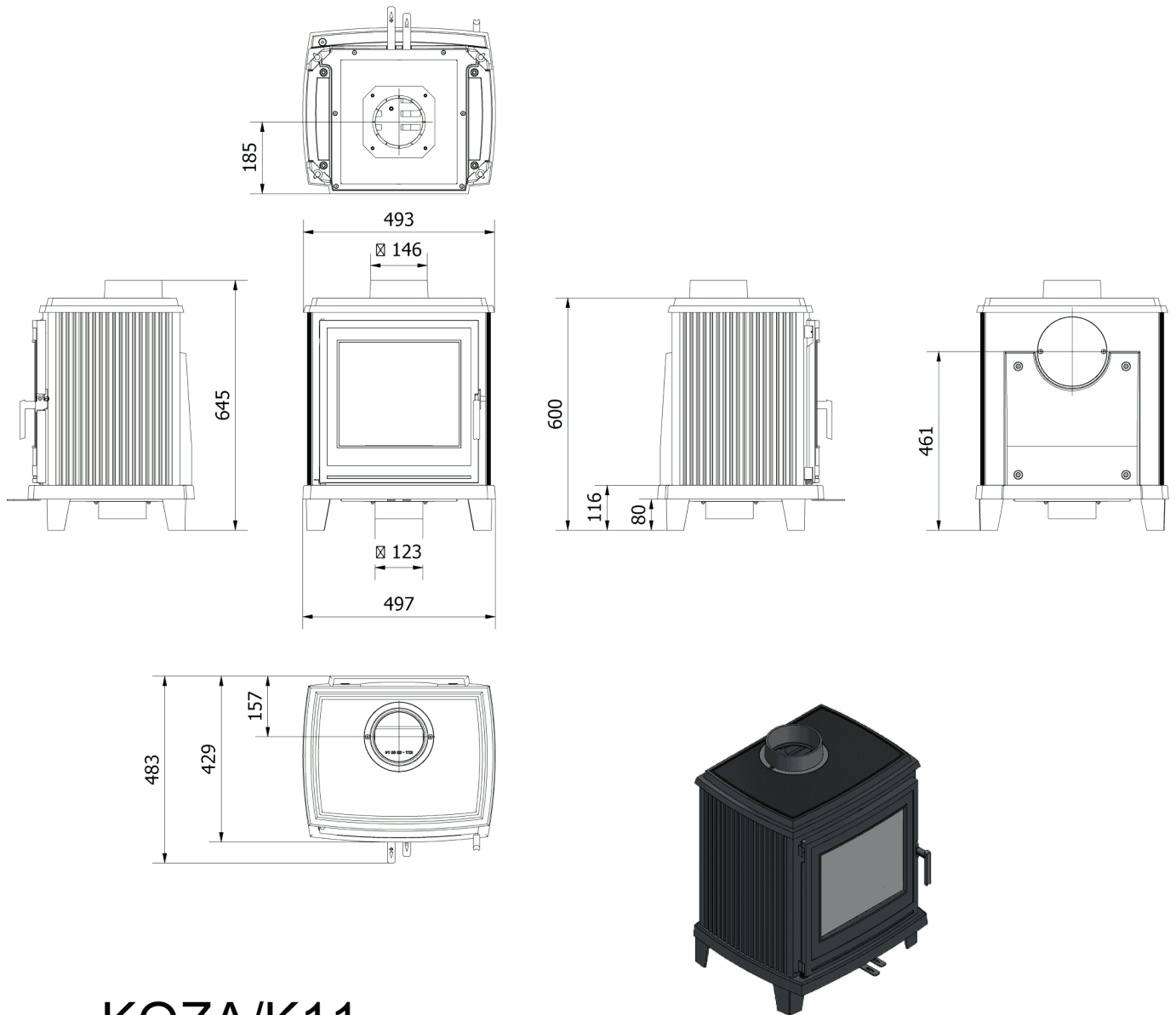
---

Width (cm) **49.7**

Height (cm) **64.5**

Depth (cm) **48.3**

Weight (kg) **133.75**



# KOZA/K11